

# CyberKey Authorizer Hub Network Only



Part numbers:

- AH-N1      120V, 60Hz Hub
- AH-N2      220V, 50Hz Hub

The CyberKey Authorizer network model is a remote interface that allows a computer and a key to exchange information via an Ethernet network connection. This allows a CyberLock system spread out over a large geographical area to be controlled from one location.

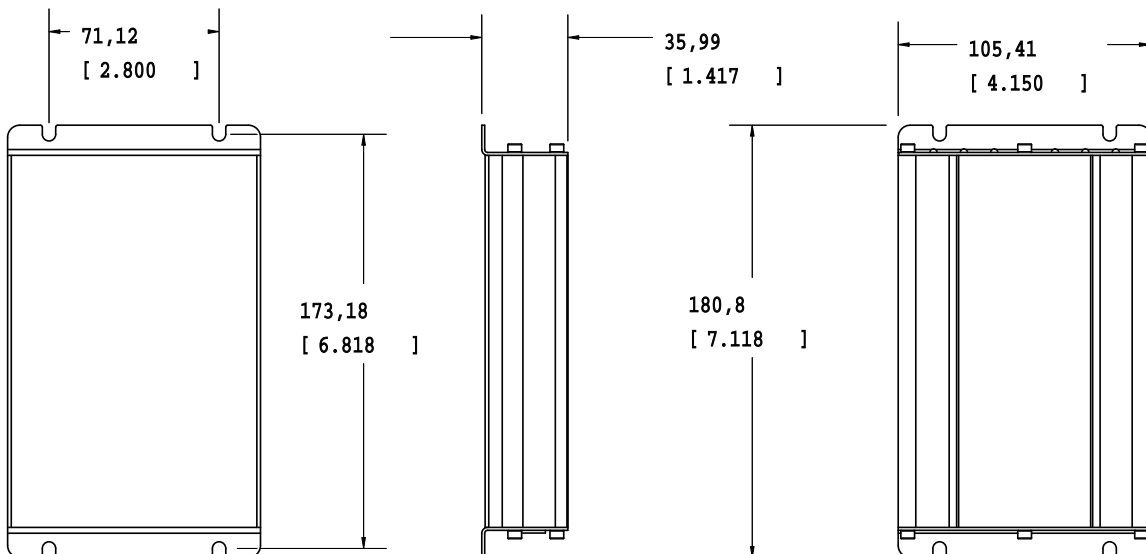
In addition to being a remote terminal, an Authorizer hub stores key configurations. This storage ability allows it to program a key even if it doesn't have a current connection to the CyberAudit database. It also downloads and stores the audit trail of known keys that touch a keyport and relays this to the database the next time it has a connection.

Several indicator lights show the status of the network and keyport connections. The hub can control two Authorizer keyports. These can be placed up to 100 feet away from the hub.

The Authorizer hub comes with either a 120V, 60Hz or 220V, 50Hz power supply as indicated by the part numbers above.

The CyberKey Authorizer hub is part of the CyberKey Authorizer system. It requires an Authorizer keyport to function. Please see the Authorizer keyport data sheet for more information.

Notes:  
Dimensions in mm (inches)  
Drawing not to scale



# CyberKey Authorizer Hub, Network Only

Part numbers:

- AH-N1        120V, 60Hz Hub
- AH-N2        220V, 50Hz Hub

## Specifications

- Physical**
  - Finish: Black powder-coated extruded aluminum
  - Dimensions: 1.42" H x 4.15" W x 7.12" L (3.60cm H x 10.54cm W x 18.08cm L)
  - Weight: 15.3 ounces (433.7g)
  - Operating Temperatures: 32° to 122° F; 0° to 50°C; indoor installation
- Power**
  - Input: 12VDC, 300 MA.
  - AH-N1 has a 120V, 60Hz transformer.
  - AH-N2 has a 220V, 50Hz transformer.
- Connections**
  - RJ-45 for 10baseT Ethernet, 2 RJ-45 for keyports
- Indicator Lights**
  - Link, Activity, Keyport 1, Keyport 2, Serial, Modem, Power
- Ethernet**
  - Type: 10BaseT; 10 Mbps, RJ-45
  - Length: 250 feet (76.2m) maximum using Cat 5 cable
- Clock**
  - Real time clock with one-hour back-up power
- Regulatory Compliance**
  - FCC
- Memory**
  - 2MB Flash
- Additional Features**
  - Downloads each hub with each change of status in the database.
  - The Authorizer is updated shortly after changes are made to the CyberAudit database.

**Memory capacity of the hub varies with use, and is based on:**

- Total key list for that hub
- Total lock list for that hub
- Number of keys downloading events to the hub
- Number of events downloaded from each key

<b>Examples:</b>	<b><u>Total storage of</u></b>	<b><u>Leaves adequate memory for</u></b>
	1000 keys & 250 locks	15 key downloads of 250 logs each
	950 keys & 200 locks	15 key downloads of 1000 logs each
	550 keys & 200 locks	125 key downloads of 1000 logs each
	500 keys & 200 locks	500 key downloads of 250 logs each
	16 keys & 200 locks	1000 key downloads of 250 logs each