

CyberKey, Infrared, with Replaceable Tip

Part number: CK-IR6



CyberKey is an electronic key that is used to operate CyberLocks. The CK-IR6 CyberKey is made of durable nylon-based plastic and has a replaceable brass tip. An indicator light shows battery power and key activation. A speaker makes tones indicating access, no access, and communication.

The CyberKey has memory that contains an encrypted access code, a list of locks it may access, schedules of dates and times for accessing locks, and a begin/end date range during which the key will operate. A CyberKey also contains an audit trail of up to 3,900 access events. Each time the key touches a CyberLock, it records the lock ID, date, time, and authorization status.

The CK-IR6 key communicates to the software either through the tip when placed in a CyberKey station or Authorizer Keypoint, or by making an infrared connection to an IR device. Infrared devices include cell phones, Pocket PC PDA's, and PCs with an infrared port or infrared adapter. Please contact Videx for a complete list of supported devices.

The type of communication possible depends on which of the two software systems are used to manage the CyberLock installation.

- CyberAudit 2.0 supports communication with the CyberKey station and the CyberKey Authorizer.
- CyberAudit-Web supports communication with the CyberKey Authorizer, cell phones, Pocket PC PDA's, infrared ports, and infrared adapters.

Communicator	CyberAudit 2.0	CyberAudit-Web
Key tip		
CyberKey base station	✓	
CyberKey Authorizer	✓	✓
Infrared port		
Cellular phone		✓
Pocket PC PDA		✓
IR port/adaptor		✓

Additional Features:

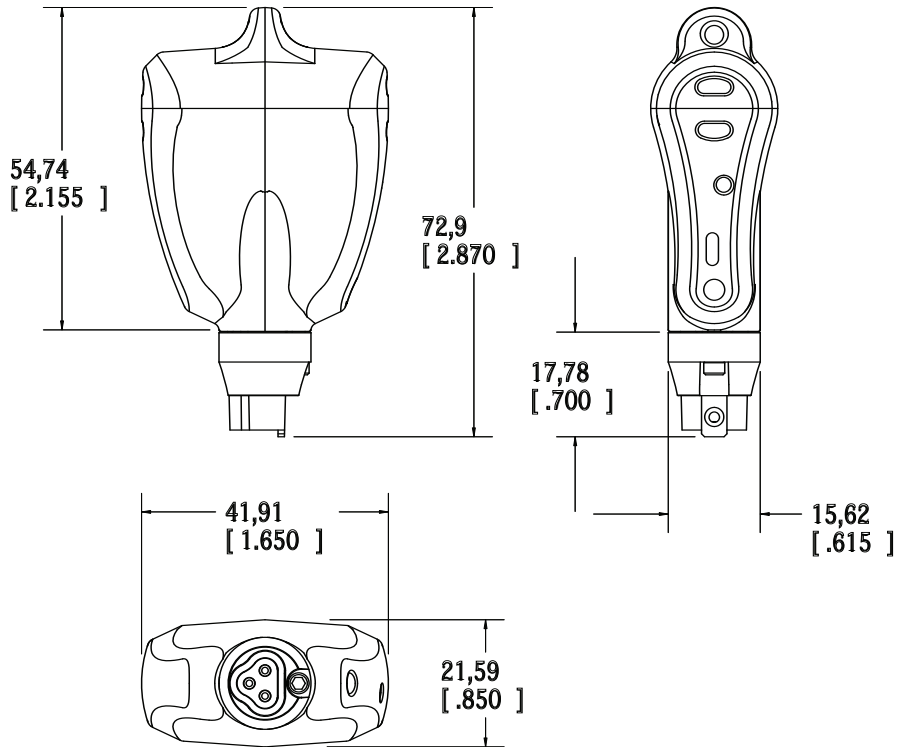
- Keys can generate a denied event in both the key memory and lock memory.
- A key can record when it was removed from a lock.
- A key's beeper can be disabled.

Additional Features with CyberAudit-Web:

- A key can use multiple schedules per lock.
- Schedules can expire independently.

CyberKey, Infrared, with Replaceable Tip

Part number: CK-IR6



Notes:
Dimensions in mm (inches)
Drawing not to scale

Specifications

- Finish** • Black plastic with a replaceable brass tip
- Operating Temperature** • 32° to 122° F; 0° to 50° C
- Operating Conditions** • Keep key dry. If exposed to water, remove battery and allow key to dry completely before use.
- Battery** • 1 CR-2 3v lithium battery
- Battery Life** • 2000 to 5000 openings, depending on settings and battery.
- Infrared Requirements** • CyberAudit-Web, CyberAgent
 - Remote IR devices must have an internet connection
- Number of Locks per Key** • Up to 3300 locks can be accessed with a standard user key.
 - A Master key has no limit to the number of locks it can access.
 - A database has no limit to the number of locks or keys it can manage.
- Access Schedules** • Schedules programmed into the CyberKey provide complete control over specific days and times that a key will operate. A key can use up to 49 different schedules to access locks.
 - A database has no limit to the number of schedules it can manage.
 - Holidays may be set as exceptions to the schedules.
- Audit Capacities** • A key remembers up to 3900 events with date and time. It can be set to keep only the most recent set of events or to stop operating when its audit trail is full.
 - The lock remembers the last 1100 events with date and time.
- Electronic Security Features** • Key Expiration – a begin/end date range can be set during which the key will work.
 - A key retains its audit trail if the power is interrupted.
- Electronic Rekeying** • Rekeying a system is done via the software; no need to install new locks and issue new keys.